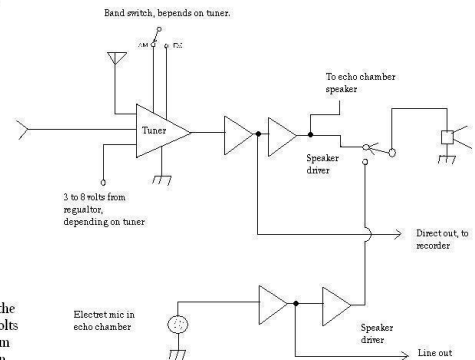
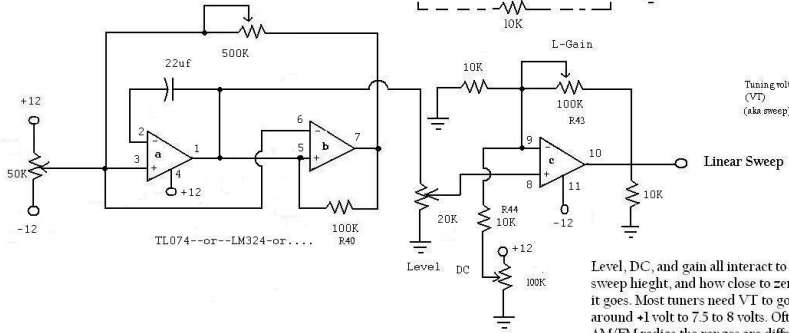
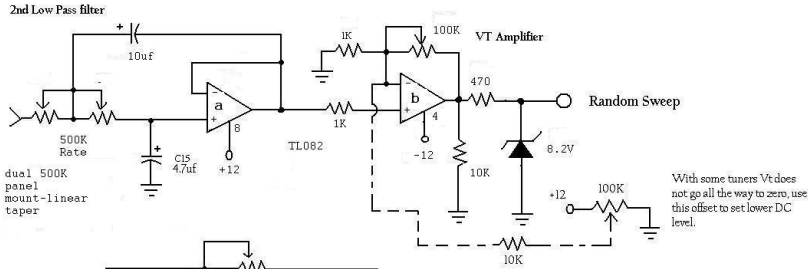
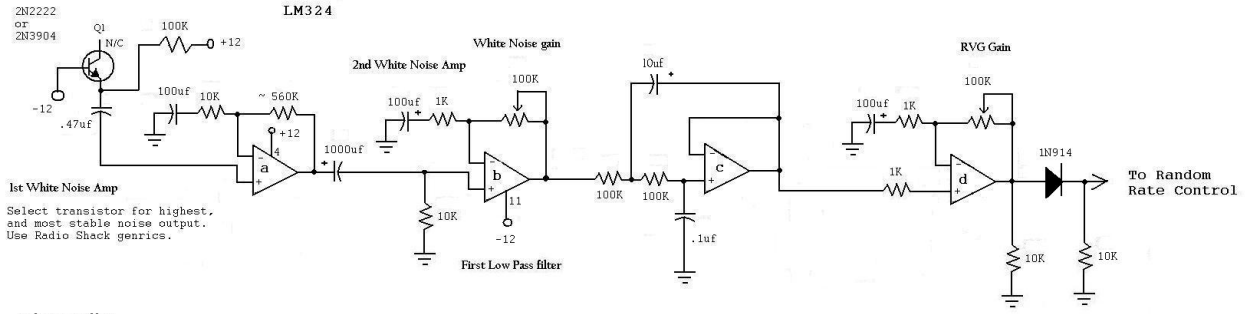


Sweep used in Number 52



Dual supply sweep for sweeping the tuning of voltage tunable radios from using Frank's Boxes, or realted systems. May 23, 2009



2008